

Protection accessories

for pressure gauges and pressure transmitters
brass, steel or stainless steel

E 09.05.01

Ed.18.02

Pressure Gauge Snubber

Pressure Gauge Snubber in brass, carbon steel or stainless steel.

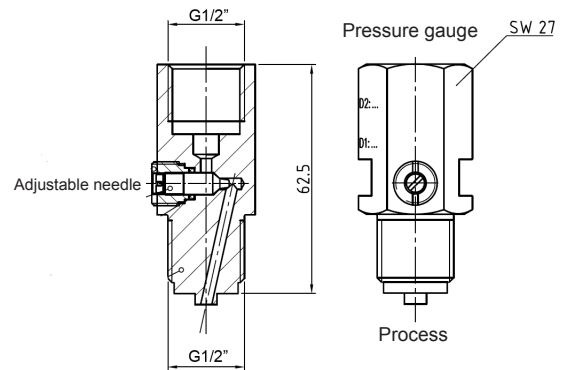
Working temperature max +120°C.

Pressure Gauge Snubbers are intended to suppress the effect of pressure pulses and pressure peaks. The snubber is provided with an adjustable needle valve that enables to restrict the flow as operating conditions may demand even if the snubber is in service.

Pressure Gauges Snubbers react from 0,4 bar upwards.



Type	Conn.	Material	PN	Best.nr
9118	G1/4"	brass	250	91180000
9018	G1/2"	brass	400*	90180000
9019	G1/2"	steel	400*	90190000
9124	G1/4"	1.4571	400*	91240000
9126	G1/2"	1.4571	400*	91260000
9125	1/4"NPT	1.4571	400*	91250000
9128	1/2"NPT	1.4571	400*	91280000



* PN 400 only with working temperature max +60°C

Pressure Gauge Damping device

Pressure Gauge Damping Device in brass G 1/4", G 3/8" or G 1/2".

The damping devices are intended to suppress the effect of pressure pulses and pressure peaks.

Pressure rate PN 250 bar in temperature max +120°C



Type	Conn.	Material	PN	L1	L2	N	Code
8071	G1/4"	brass	250	29	11	19	80710100
8072	G3/8"	brass	250	32	14	22	80720200
8073	G1/2"	brass	250	36	18	27	80730300

